

2010

IKL502 - 24/28/32
GLAZED IN LOUVRE





IKL 502 - 24/28/32

PRODUCT DESCRIPTION

- EXTRUDED ALUMINIUM SECTIONS (GRADE 6063-T6)
- PITCH 50MM
- STANDARD FINISHES:
 - STANDARD RAL OR BS COLOURS
 - STANDARD ANODISED (SAA-25)
- SUITABLE FOR 24,28,32 GLAZING
- EQUAL LEG OUTER FRAME TRACK DEPTH 24.30
- STANDARD STAINLESS STEEL FLYSCREEN:
 - 2 X 2 MM ON REQUEST: 6 X 6 MM
- PHYSICAL FREE AREA : 50 %
 - MAXIM FREE AREA: 75%

SIZES IKL 502

- ALL SIZES ARE POSSIBLE
 - (MIN. HEIGHT 200MM)
- WHEN ORDERING :
 - PLEASE QUOTE OPENING WIDTH X HEIGHT

OPTIONS

- DRAINAGE CHANNEL BLADE
- BIRD / VERMIN MESH
- BLANKING PANELS (INSULATION OPTIONS)

FIXING

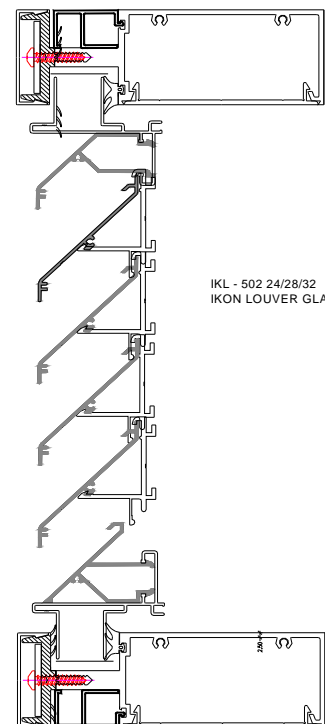
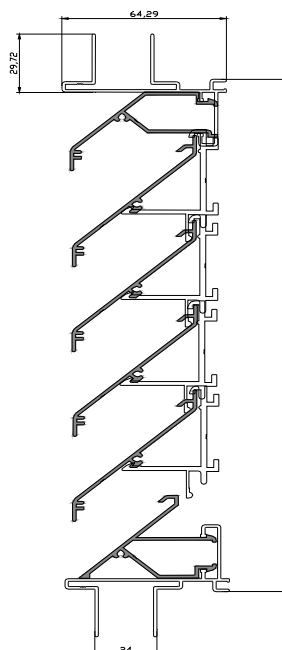
- GLAZED - IN

UNIT 1, YARDLEY BROOK
INDUSTRIAL PARK, LEAFORD
WAY, SHARD END,
BIRMINGHAM, B33 9TX

EMAIL:
INFO@IKONALUMINIUM.CO.UK

SALES:
MIKEL@IKONALUMINIUM.CO.UK

WEB:
WWW.IKONALUMINIUM.COM



IKON
ALUMINIUM SYSTEMS