



2010

IKCL95
CONTINUOUS LOUVRE





IKCL 95 - CONTINUOUS LOUVRE

PRODUCT DESCRIPTION

- EXTRUDED ALUMINIUM SECTIONS (GRADE 6063-T6)
- PITCH 95MM
- HEIGHT OF BLADE 110MM
- STANDARD FINISHES:
 - STANDARD RAL OR BS COLOURS
 - STANDARD ANODISED (SAA-25)
- BIRD MESH OR BLANKING PANELS
- PHYSICAL FREE AREA : 51 %
- MAXIM FREE AREA: 82%
- MULLIONS DEPTH
 - 14MM, 50MM OR 80MM

APPLICATION

- ESTHETICAL OR FUNCTIONAL INTEGRATION OF FACADES
- MULLION NOT VISIBLE
 - CONTINUOUS SYSTEMS INCORPORATING DOORS
 - INTERNAL AND EXTERNAL CORNERS
- ALL SHAPES ARE POSSIBLE

FIXING

- DEPENDING ON THE CONSTRUCTION DETAILS

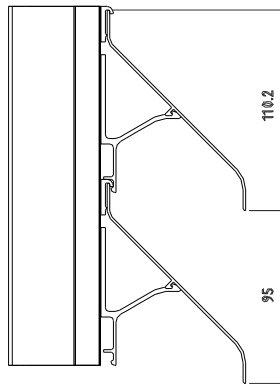
UNIT 1, YARDLEY BROOK
INDUSTRIAL PARK, LEAFORD
WAY, SHARD END,
BIRMINGHAM, B33 9TX

EMAIL:
INFO@IKONALUMINIUM.CO.UK

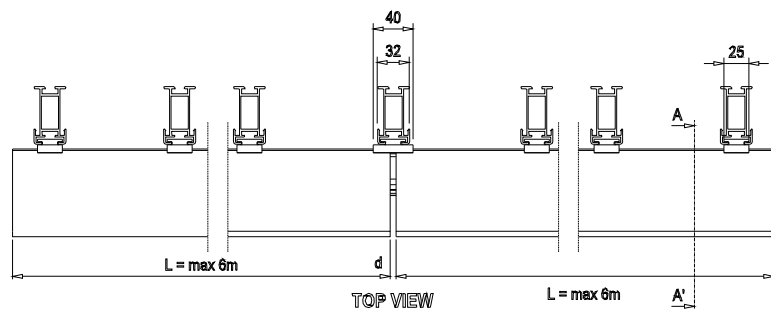
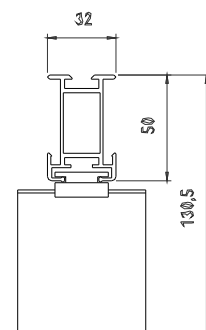
SALES:
MIKEL@IKONALUMINIUM.CO.UK

WEB:
WWW.IKONALUMINIUM.COM

REF: IKLB95 / IKLCL95
95mm Blade With Clip



REF:- IKLM50
50mm Mullion



IKON
ALUMINIUM SYSTEMS

