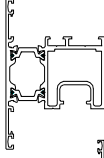
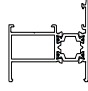
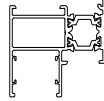
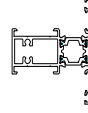
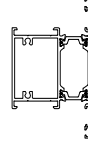
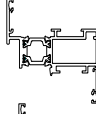
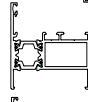
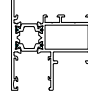
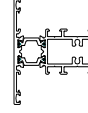
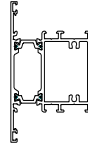
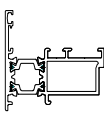
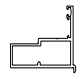




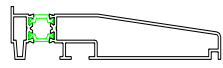
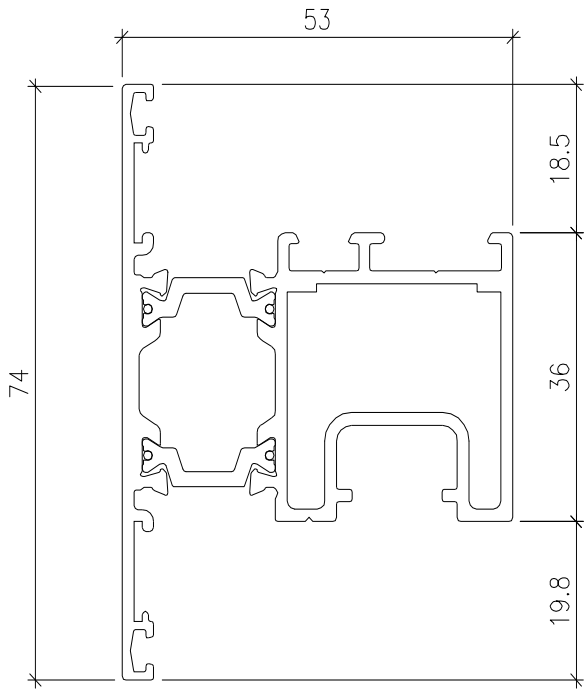


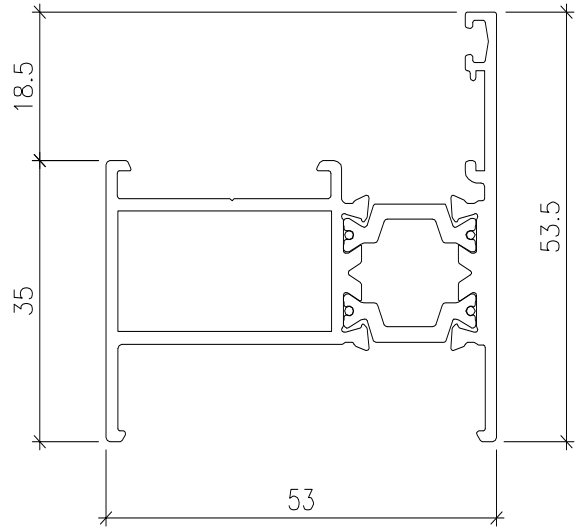
# Casement Window F3

OPEN OUT VENT		<b>F1</b>	GLAZE OUT
EQUAL LEG OUTER FRAME		<b>F2</b>	GLAZE OUT
C/MENT O/FRAME GLAZE - IN		<b>F3</b>	GLAZE IN
STANDARD TRANSOM / MULLION		<b>F4</b>	GLAZE OUT
WIDE TRANSOM / MULLION		<b>F5</b>	GLAZE OUT
OPEN IN VENT		<b>F6</b>	GLAZE IN
EQUAL LEG OUTER FRAME		<b>F7</b>	GLAZE IN
CURTAINWALL INSERT OUTER FRAME		<b>F8</b>	GLAZE IN
STANDARD TRANSOM / MULLION		<b>F9</b>	GLAZE IN
WIDE TRANSOM / MULLION		<b>F10</b>	GLAZE IN
ADAPTOR FOR OPEN IN VENT		<b>F11</b>	GLAZE OUT
CLIP IN BEAD 28mm ADAPTOR FOR OPEN OUT VENT		<b>F12</b>	GLAZE IN
		<b>F14</b>	GLAZE IN/OUT
STANDARD GLAZING BEAD 28-32mm		<b>F15</b>	GLAZE OUT
STANDARD GLAZING BEAD 28-32mm		<b>F16</b>	GLAZE IN
T - COUPLING MULLION		<b>F22</b>	COMMON
150 MM CILL		<b>F20</b>	GLAZE OUT

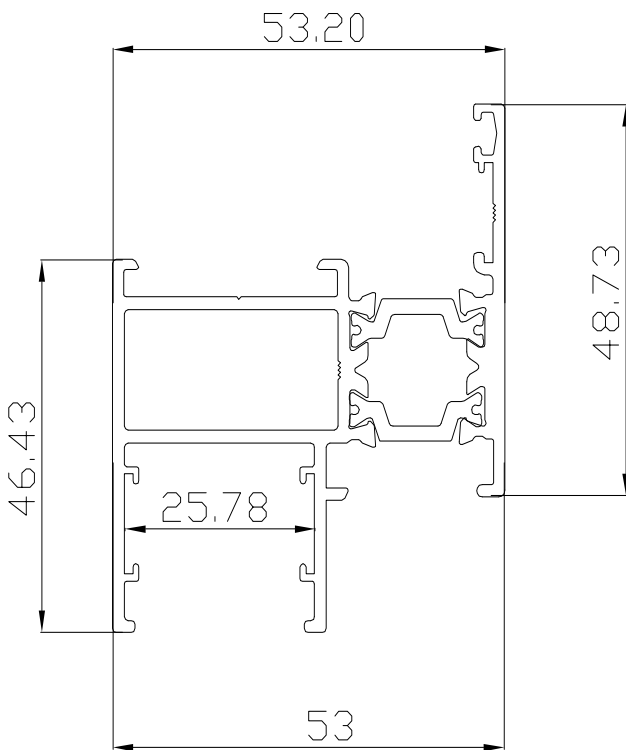
# Casement Window F3



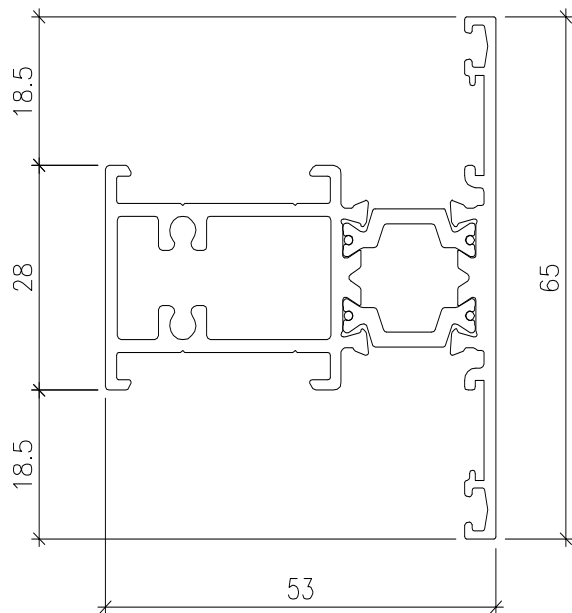
F1 GLAZE IN  
OPEN OUT VENT



F2 GLAZE OUT  
EQUAL LEG OUTER FRAME

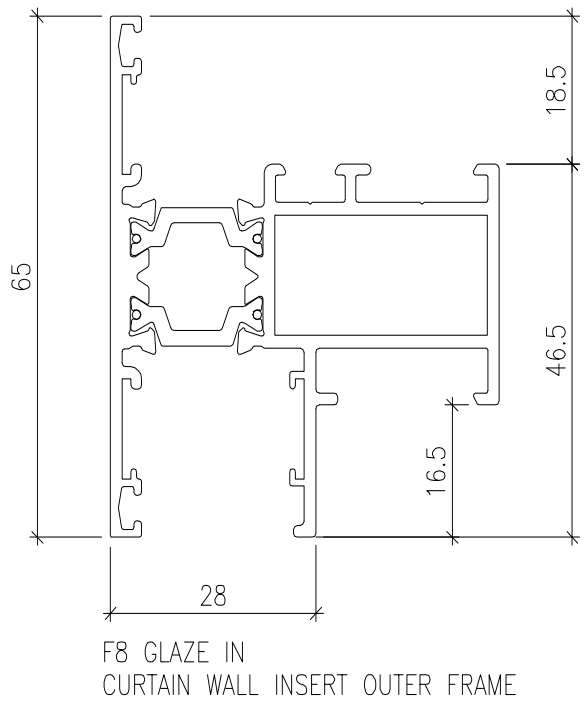
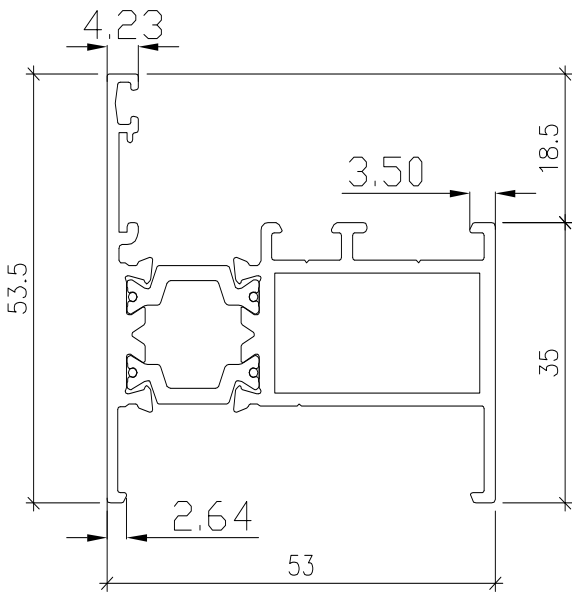
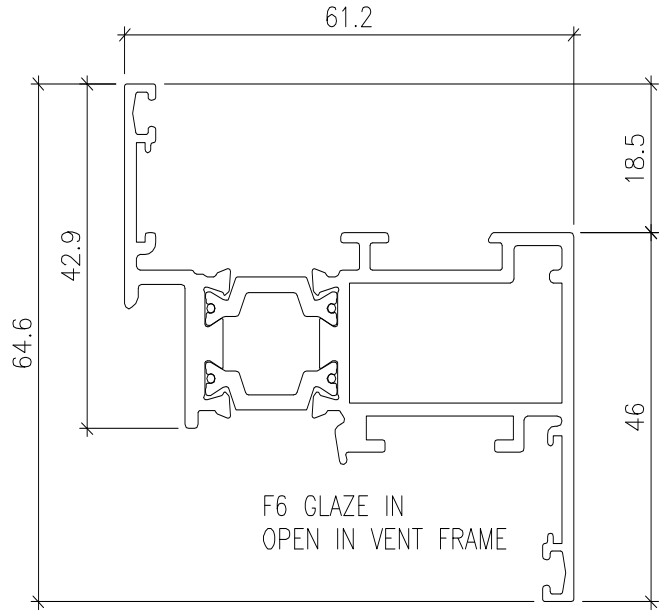
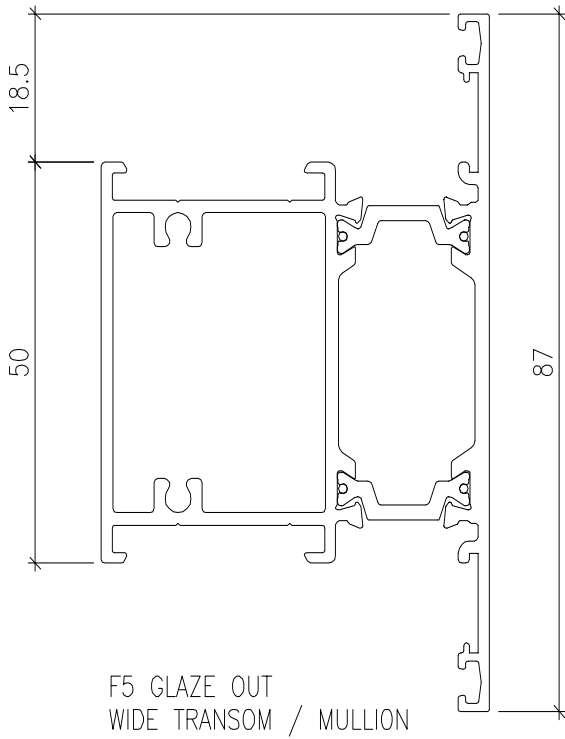


F3 GLAZE IN  
C/MENT O/FRAME GLAZE-IN

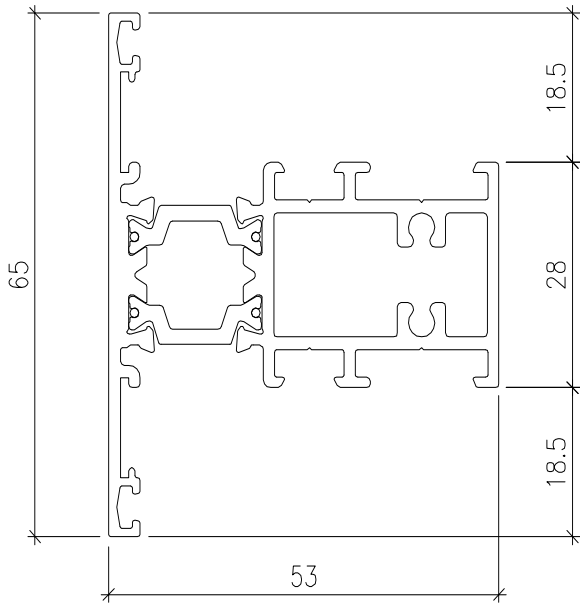


F4 GLAZE OUT  
STANDARD TRANSOM / MULLION

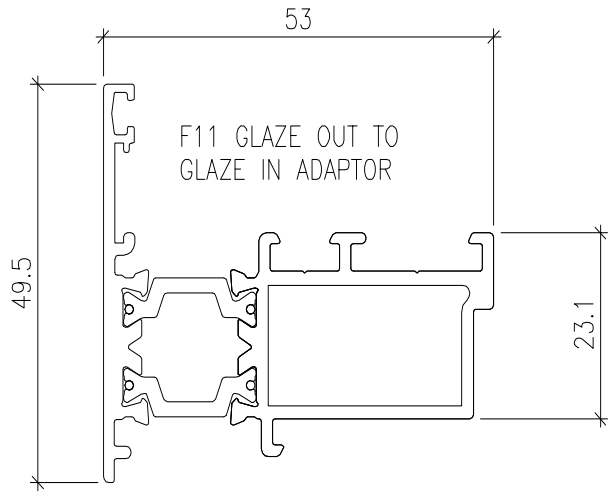
# Casement Window F3



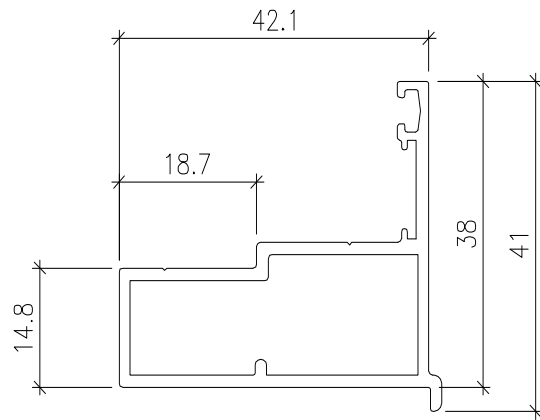
# Casement Window F3



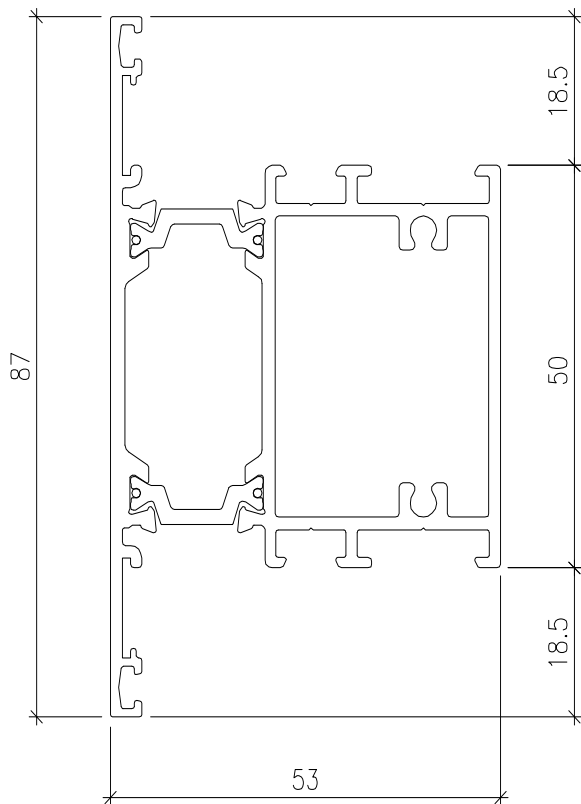
F9  
STANDARD TRANSOM / MULLION



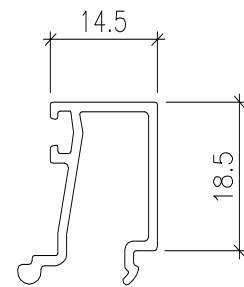
F11 GLAZE OUT TO  
GLAZE IN ADAPTOR



F12 GLAZE IN TO  
OPEN OUT VENT - ADAPTOR

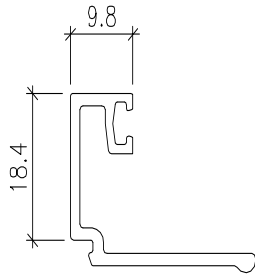


F10  
WIDE TRANSOM / MULLION

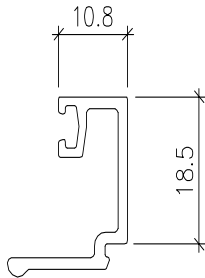


F14 BEAD FOR OPEN OUT VENT  
NOTE: FOR VENT ONLY 28mm

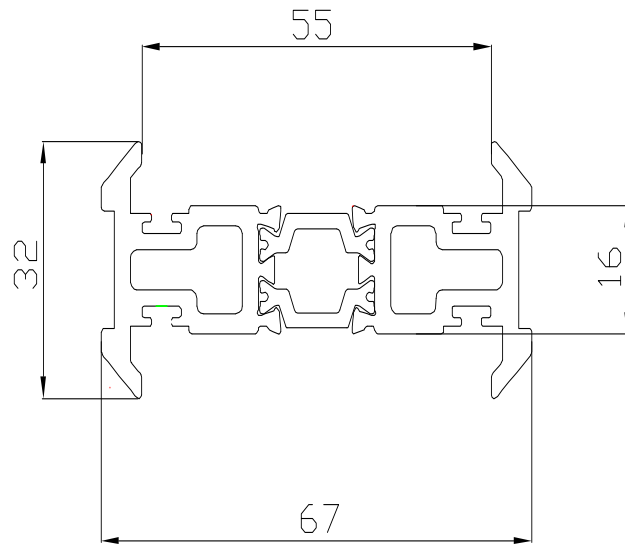
# Casement Window F3



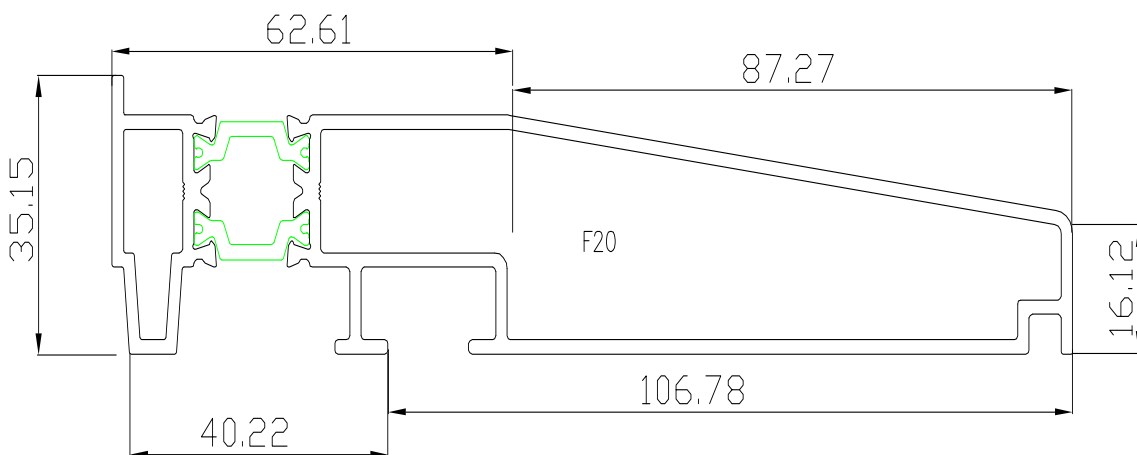
F15 GLAZE OUT  
GLAZING BEAD 28mm - 32mm



F16 GLAZE IN BEAD  
STANDARD 28mm



F22  
T - COUPLING MULLION  
55mm



F20 150 CILL

# Casement Window F3

STANDARD 3mm CAPTIVE GASKET



**F3CG03** (COMMON 28-32mm)

STANDARD 3mm WEDGE GASKET



**F3WG03** (32mm GLASS)

STANDARD 7mm WEDGE GASKET



**F3WG07** (28mm GLASS)

STANDARD 7mm WEDGE GASKET



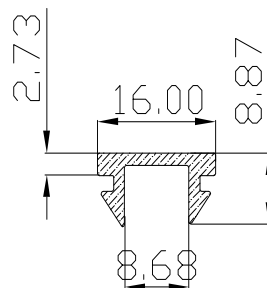
**F3BG**

CENTRE SEAL GASKET



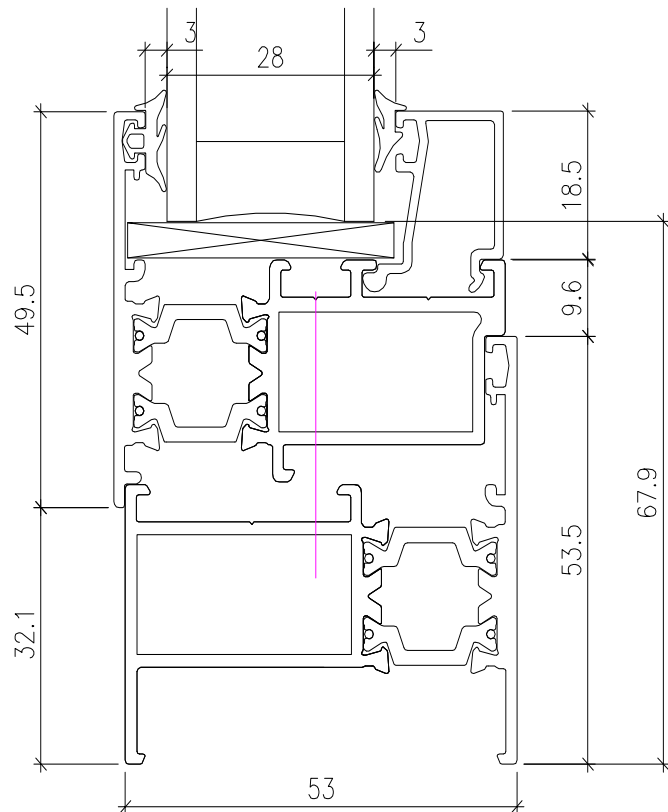
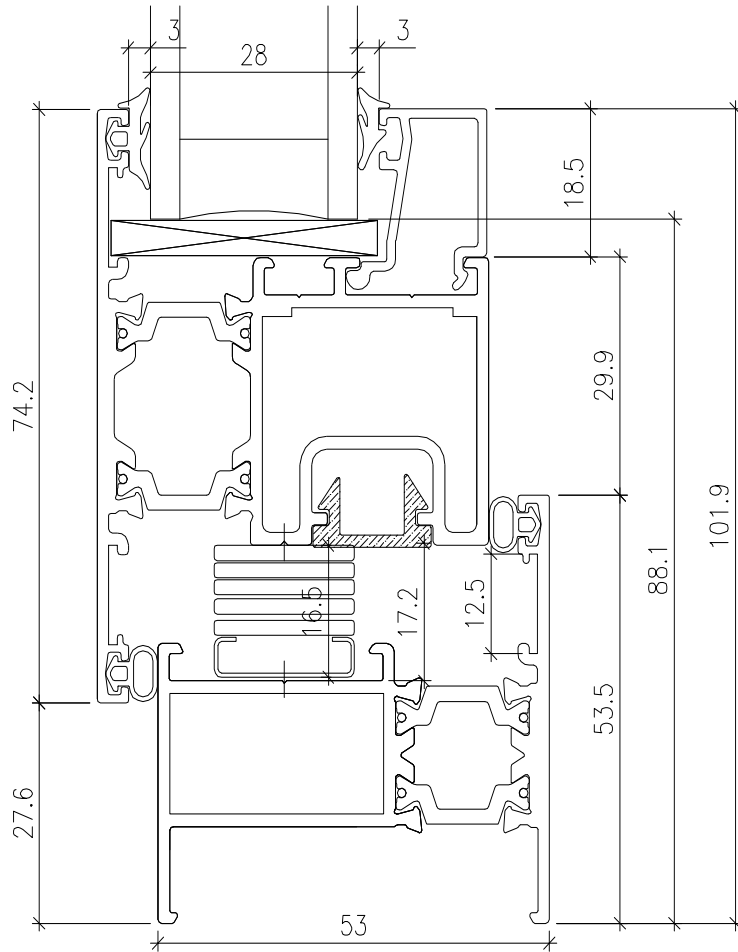
**F3CS**

**16mm Cover Strip**

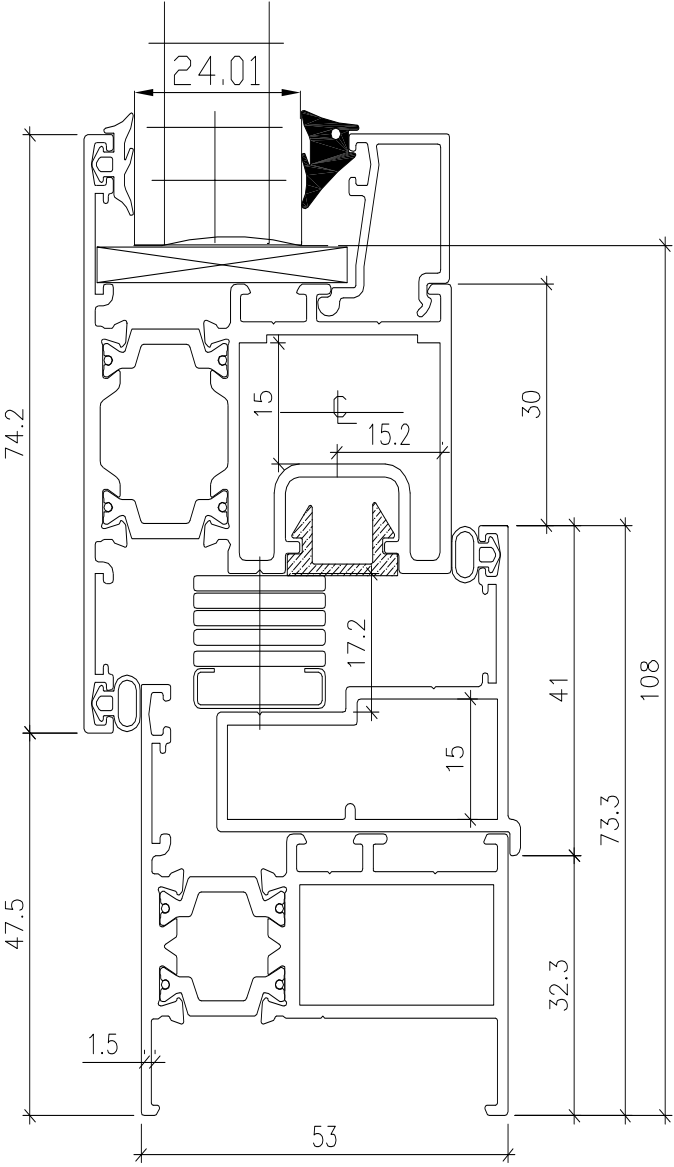


**F3C16**

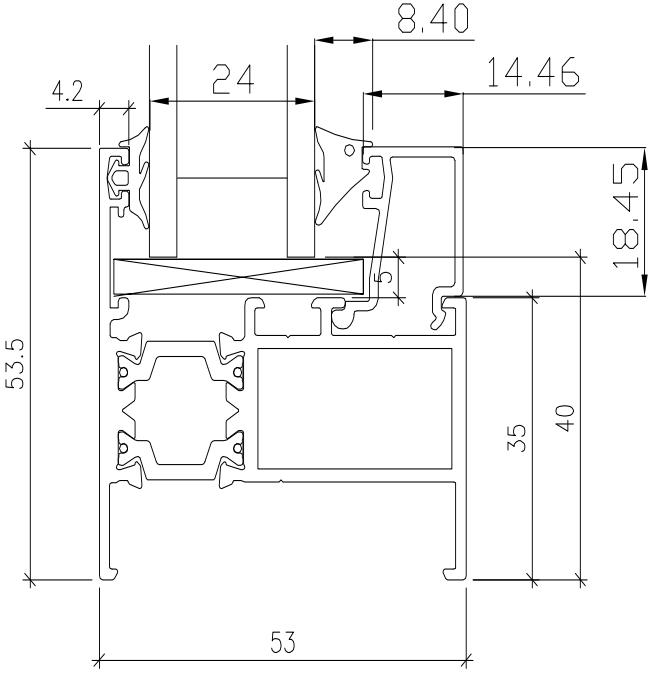
# Casement Window F3



# Casement Window F3

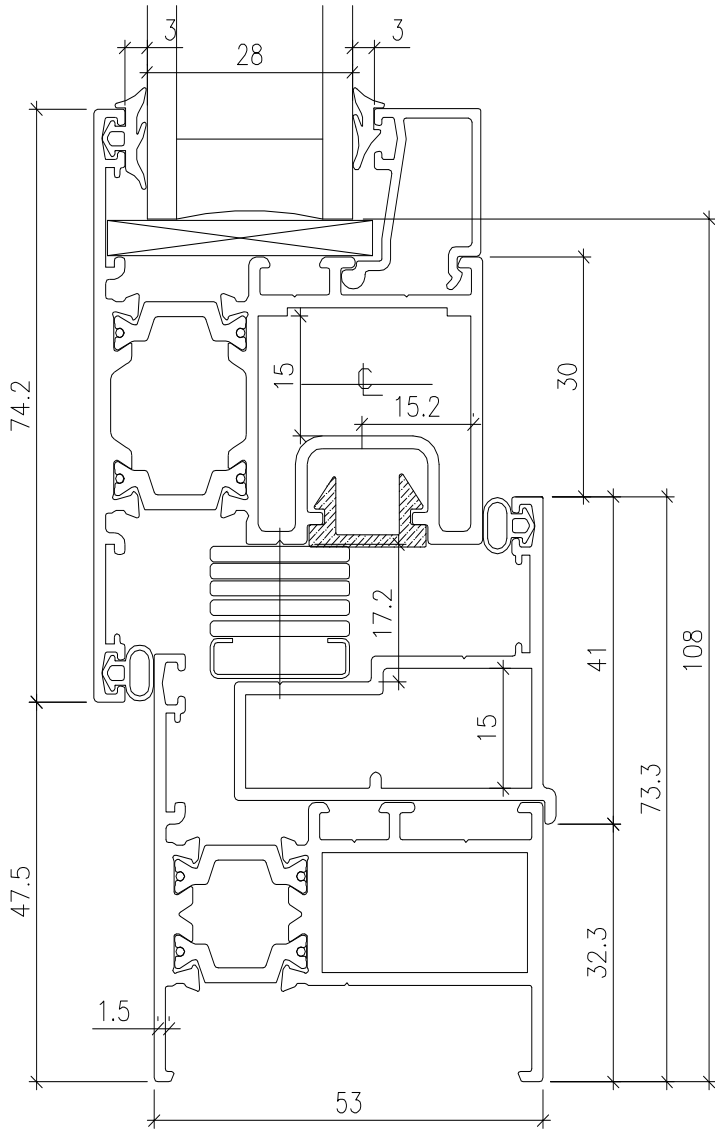


ADAPTED OPEN OUT CASEMENT

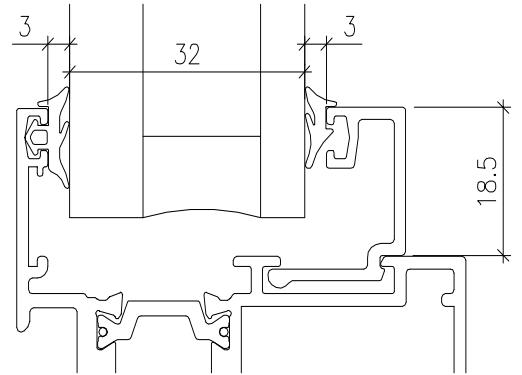


EQUAL LEG OUTER FRAME

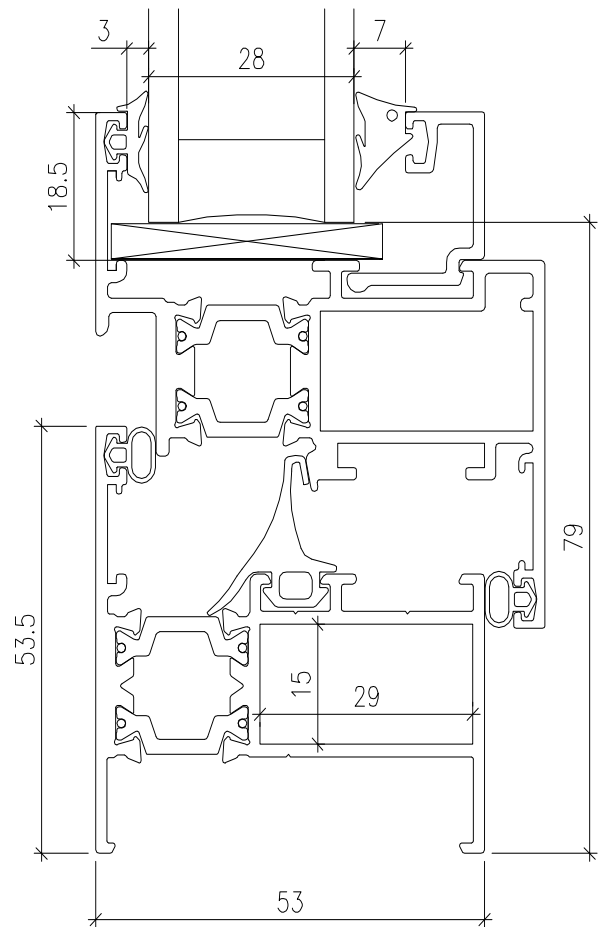
# Casement Window F3



ADAPTED OPEN OUT CASEMENT

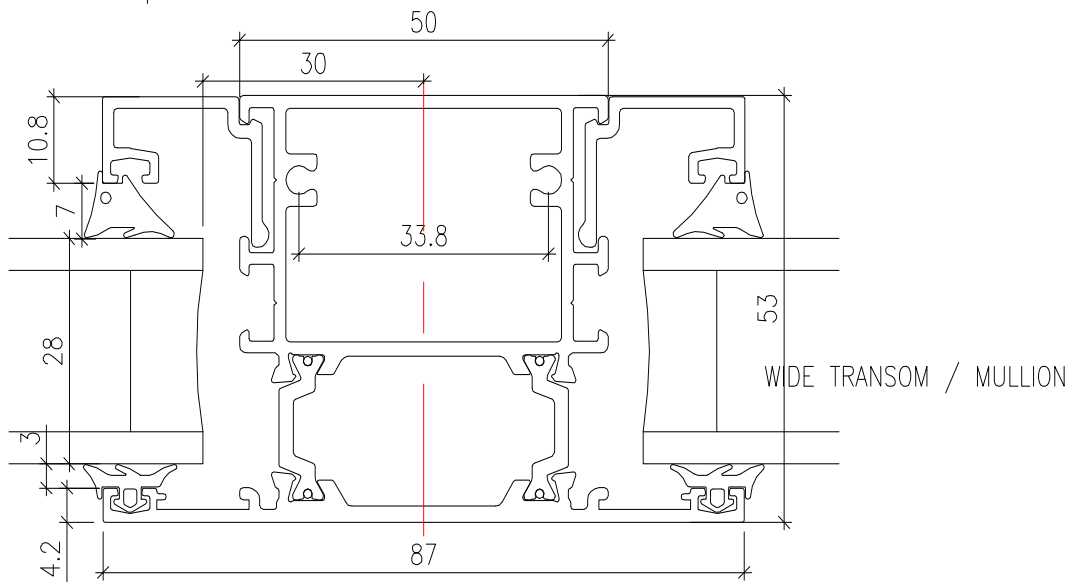
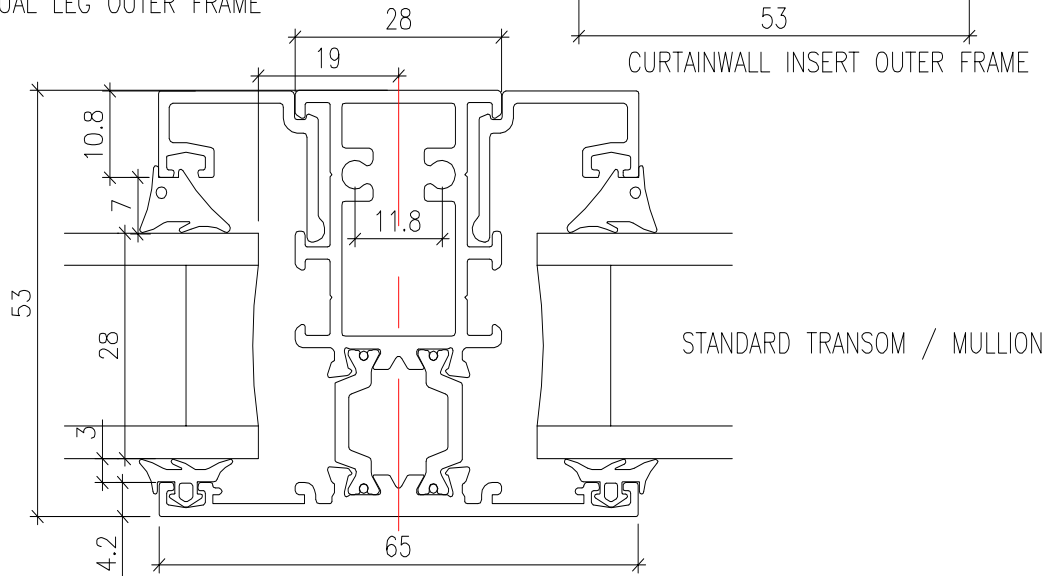
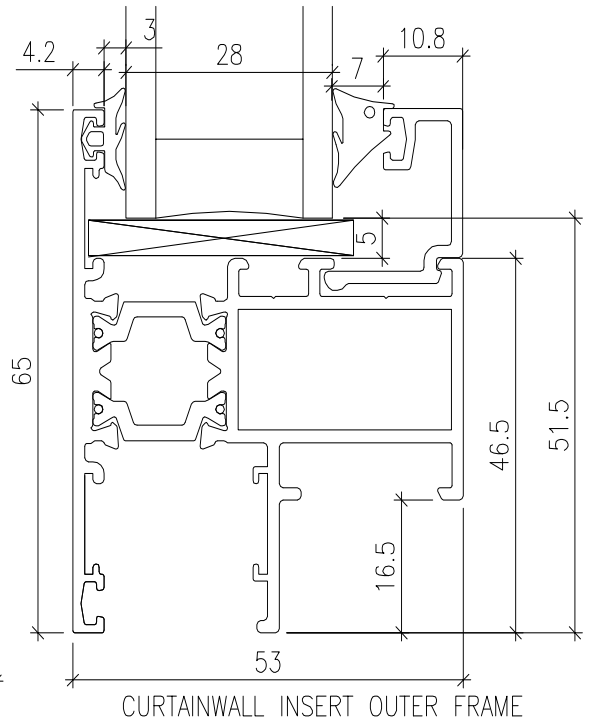
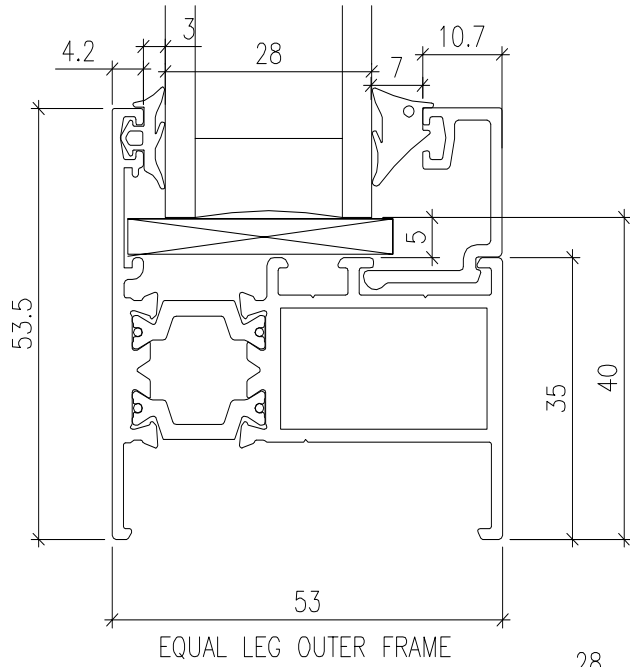


32MM GLAZING OPTION TO VENT

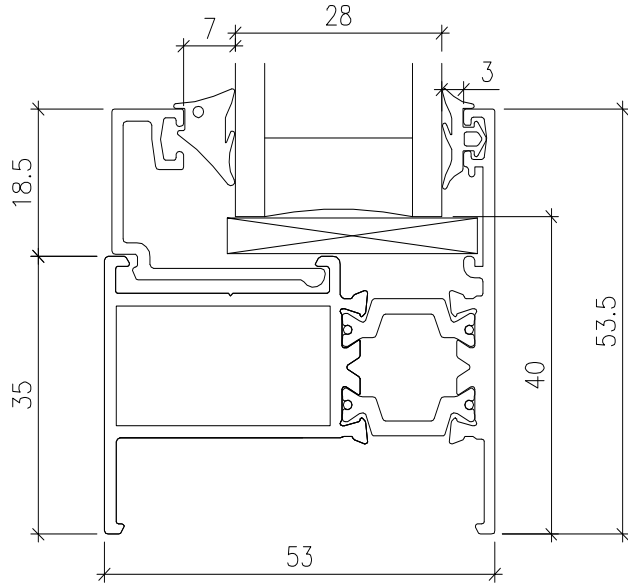


OPEN IN VENT FRAME

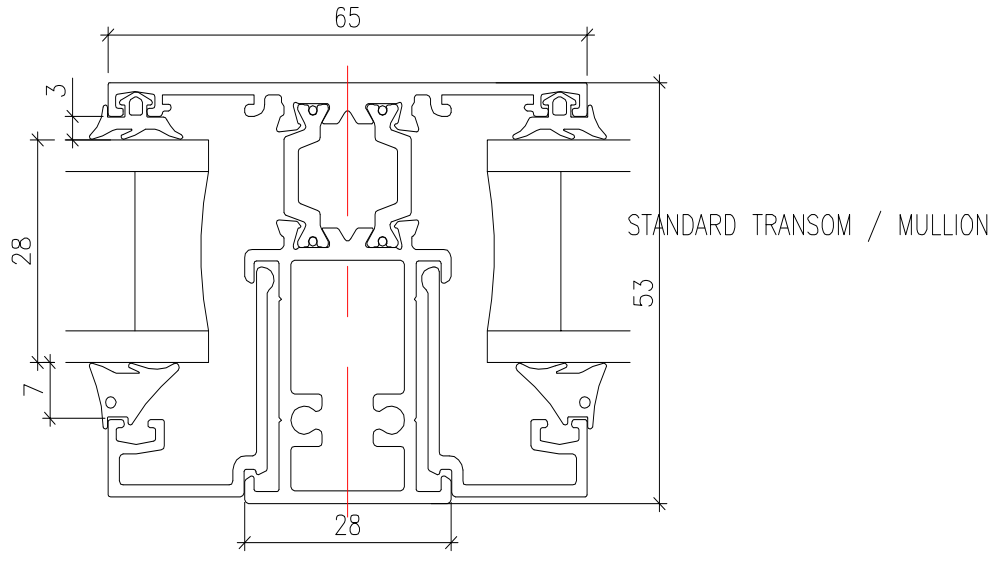
# Casement Window F3



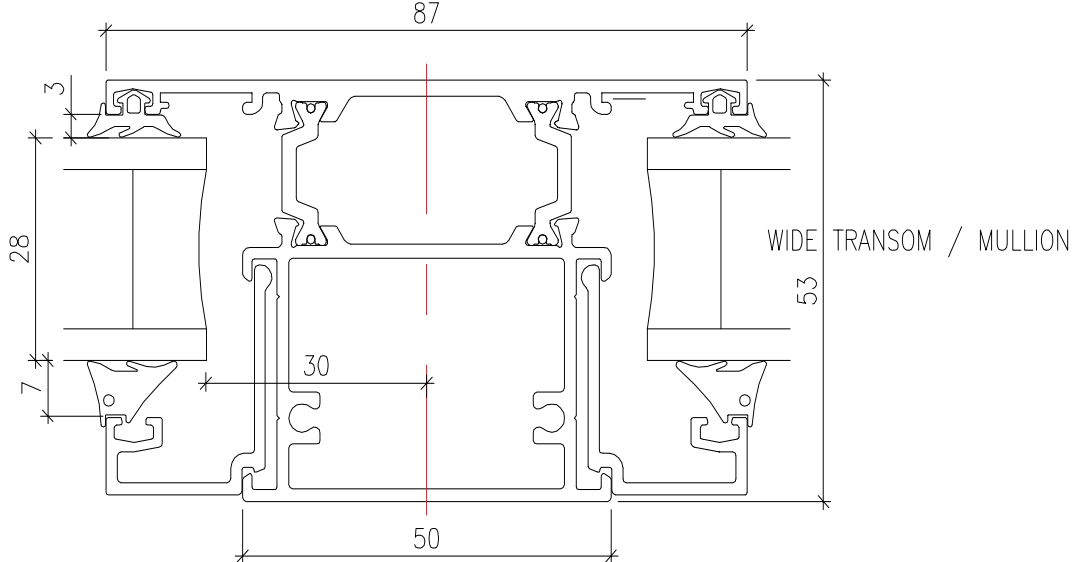
# Casement Window F3



EQUAL LEG OUTER FRAME



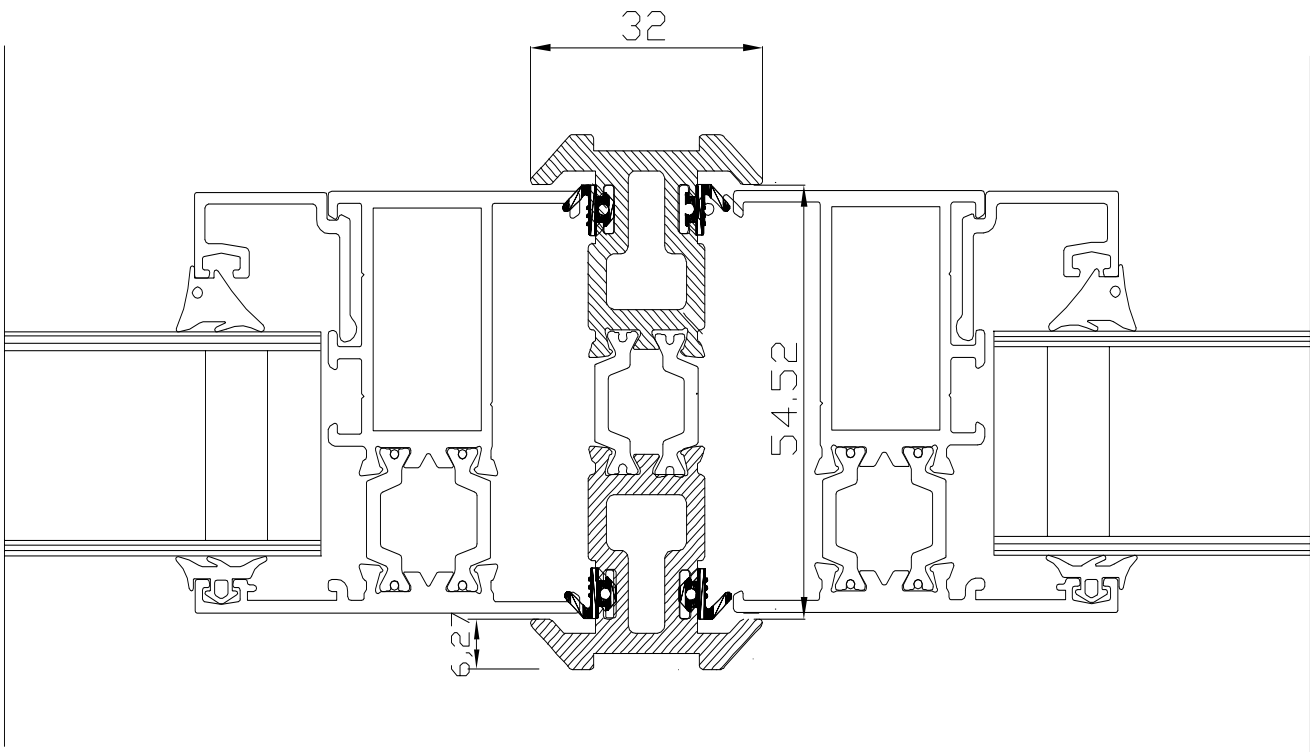
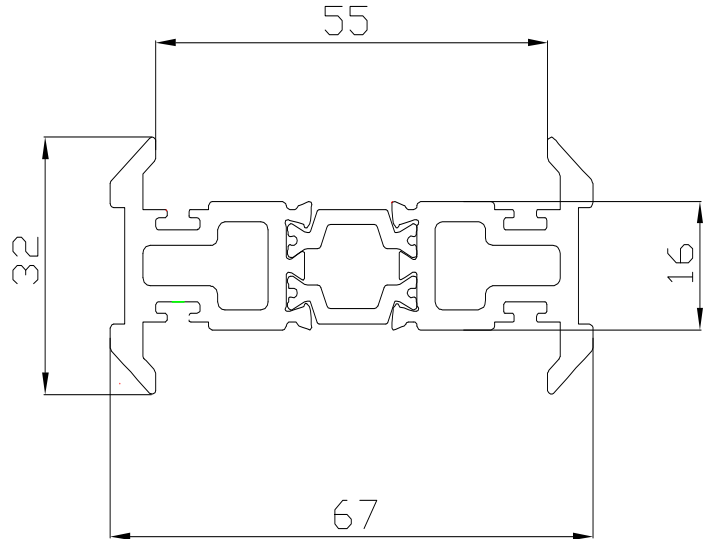
STANDARD TRANSOM / MULLION



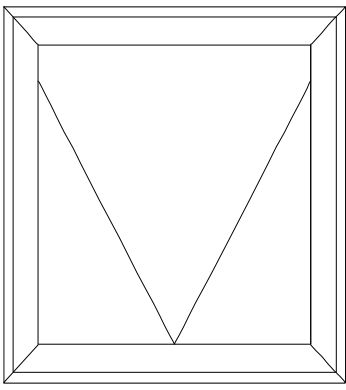
WIDE TRANSOM / MULLION

# Casement Window F3

F22  
T - COUPLING MULLION  
55mm



# Top Hung open Out On Friction Stays

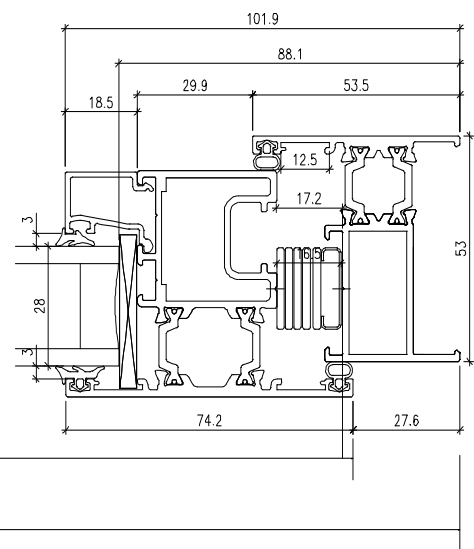
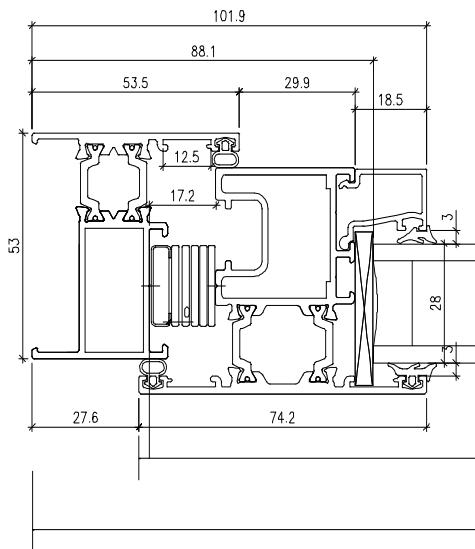
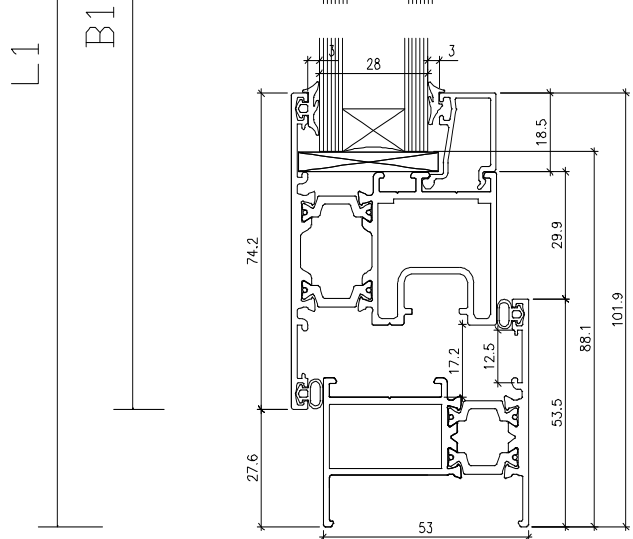
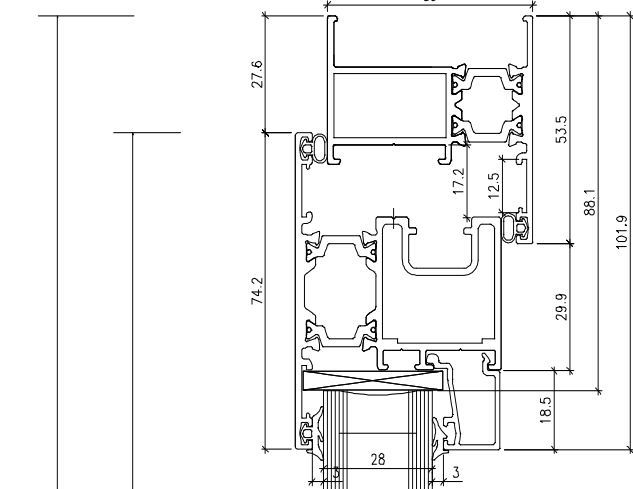


Outer Frame	2			L1
Outer Frame	2			L2
Vent Frame	2			B1 = L1 - 55.2
Vent Frame	2			B2 = L2 - 55.2
Horizontal Bead	2			L2 - 167
Vertical Bead	2			L1 - 204

Cleats	8	
Chevrons	12	
Outer Gasket Outer Frame	$\odot$	$(L1 - 101) * 2 + (L2 - 101) * 2$
Outer Gasket Vent Frame	$\odot$	$(B1 * 2) + (B2 * 2)$
Outer Gasket Vent Frame	$\llcorner$	$(B1 - 70) * 2 + (B2 - 70) * 2$
Inner Gasket	$\text{f}$	$(B1 - 70) * 2 + (B2 - 70) * 2$

Friction Stays 17mm	L1 * 0.6 (approx)
Cock Spur Handles	L2 < 800 = 1 L2 > 800 < 1000 = 2

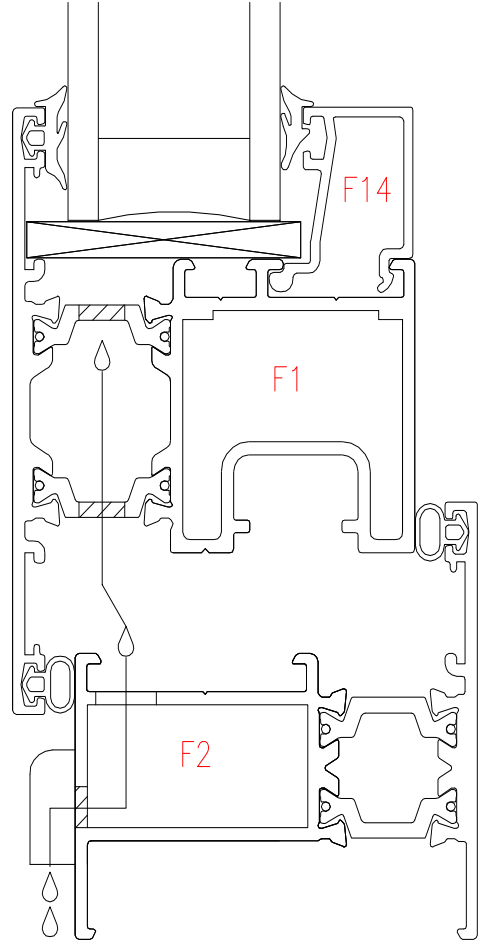
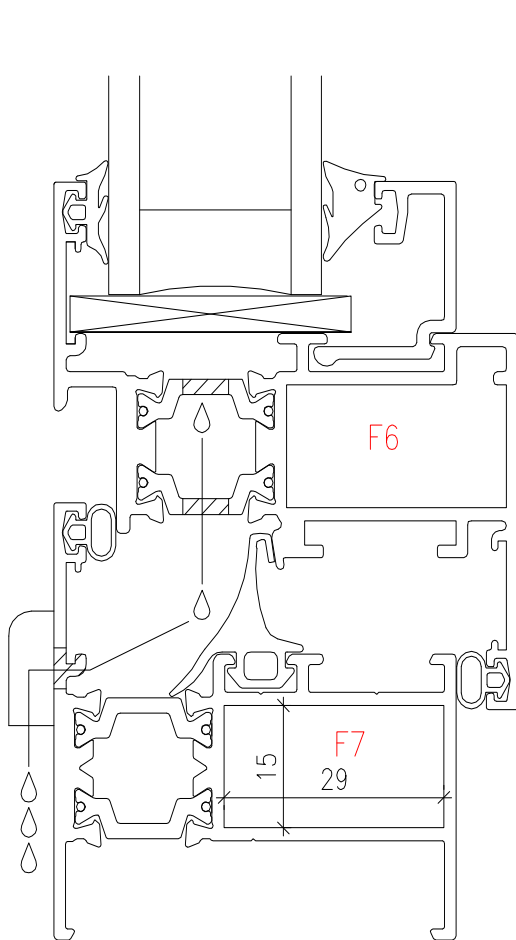
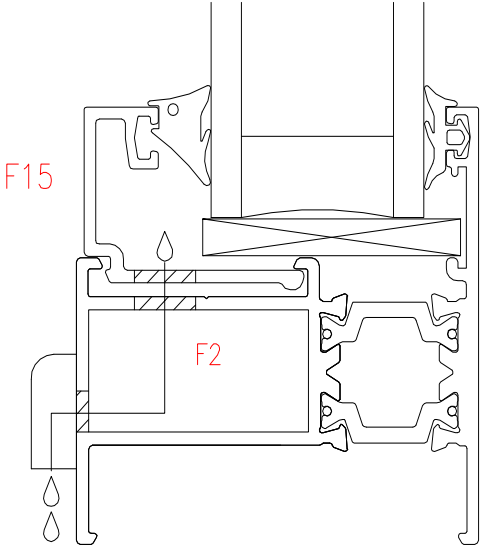
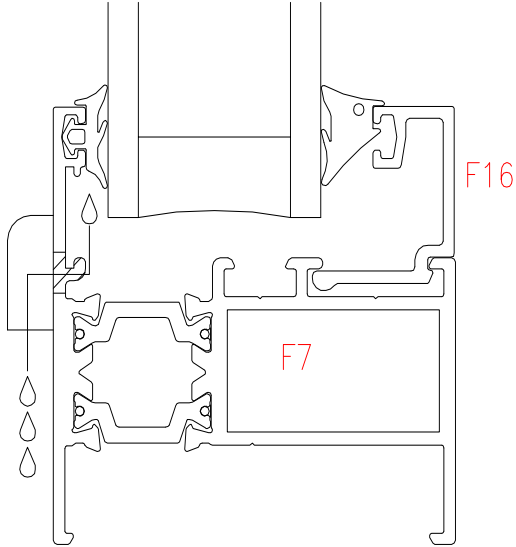
Glass	L1 - 176.2	L2 - 176.2
-------	------------	------------



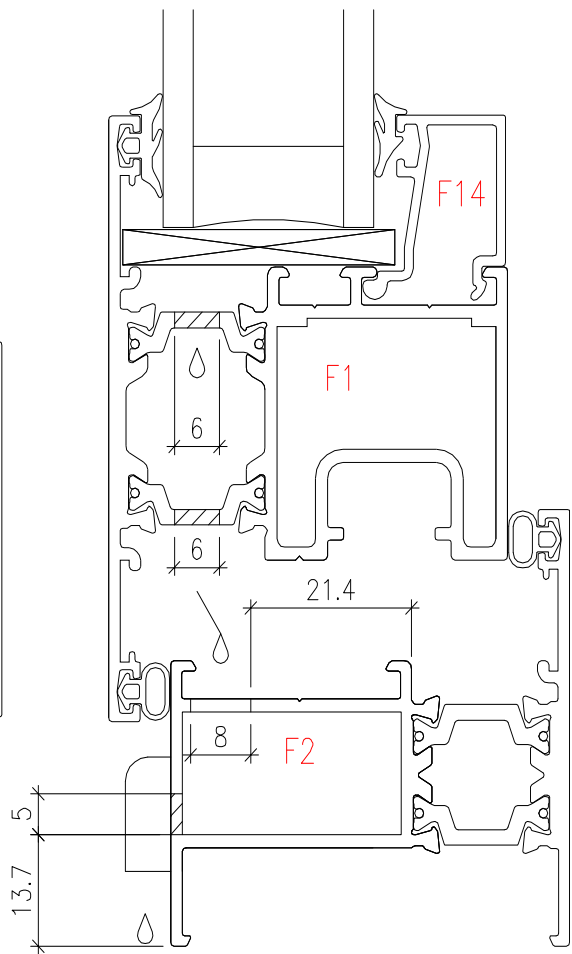
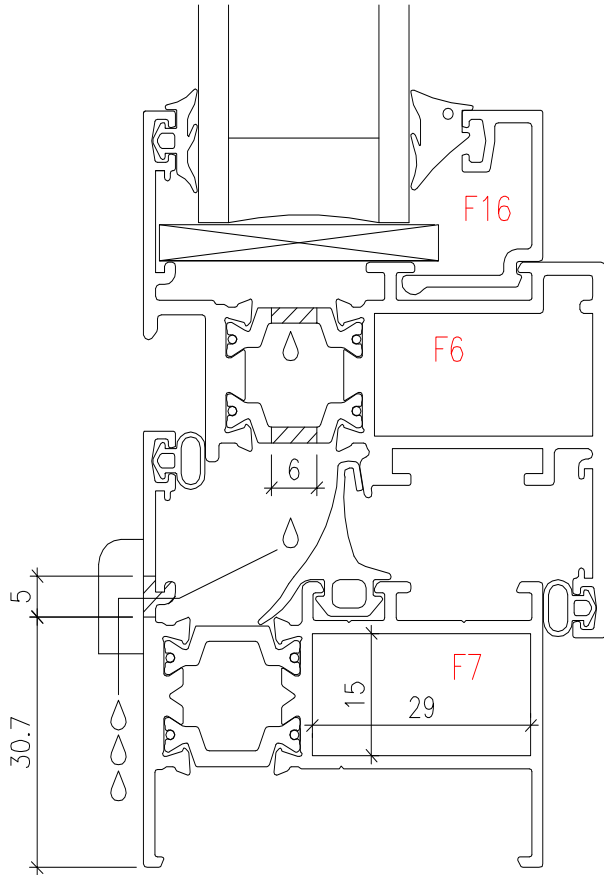
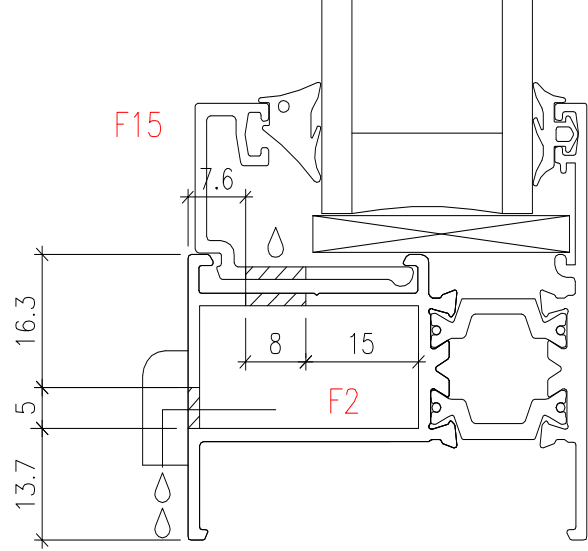
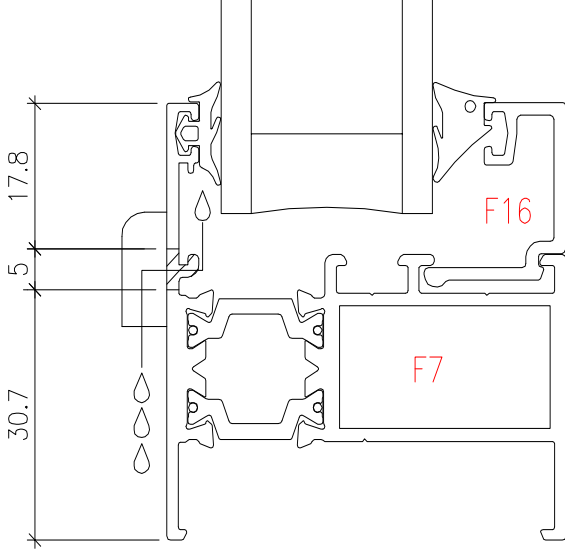
B2

L2

# Casement Window F3

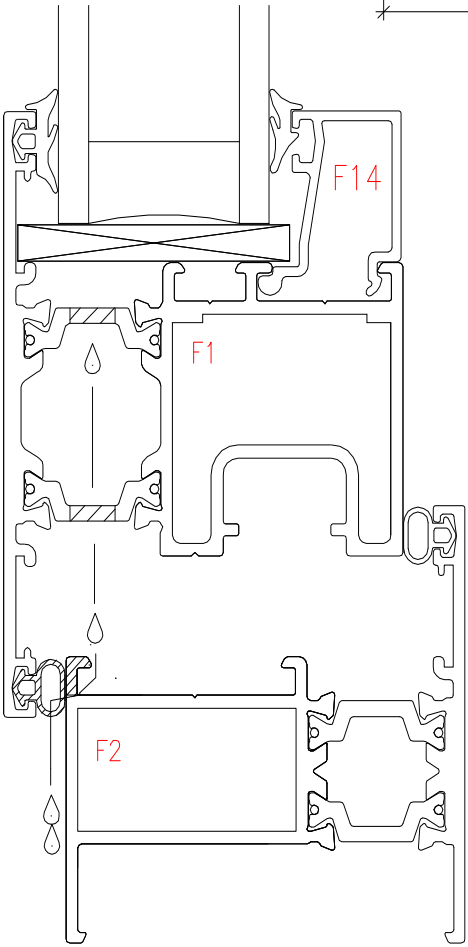
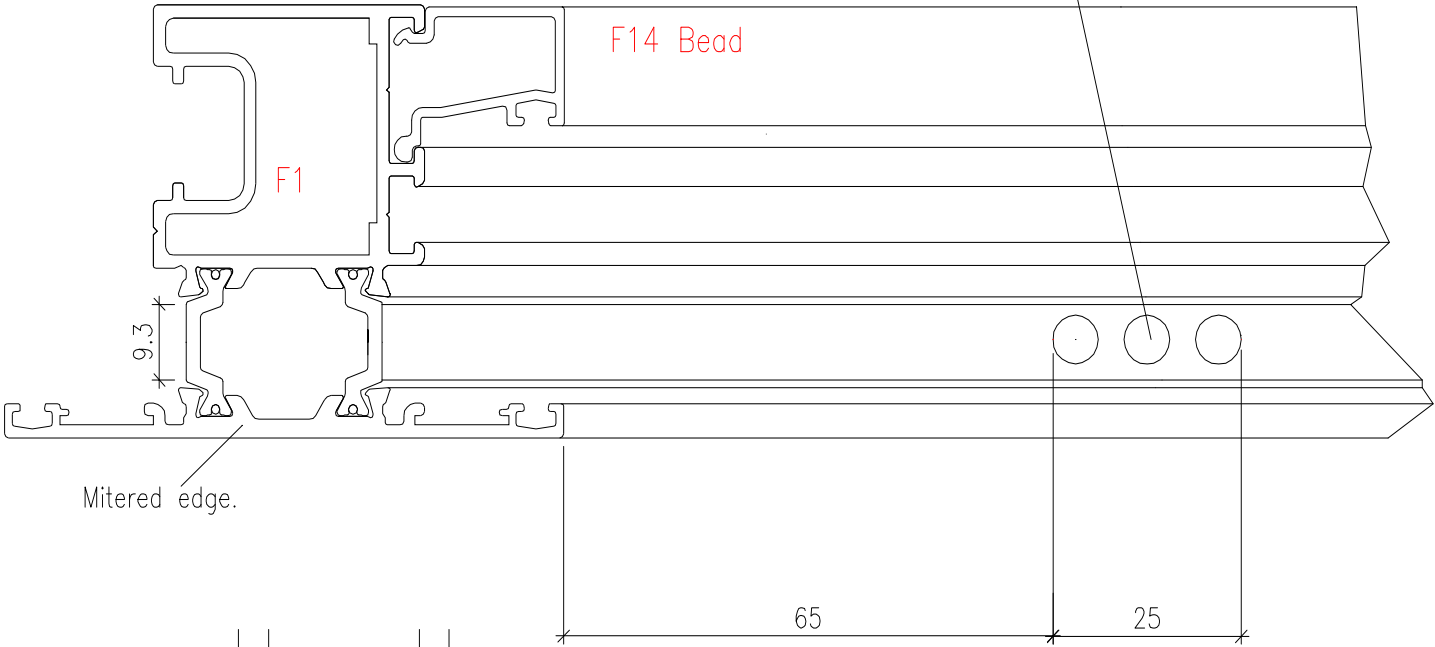


# Casement Window F3



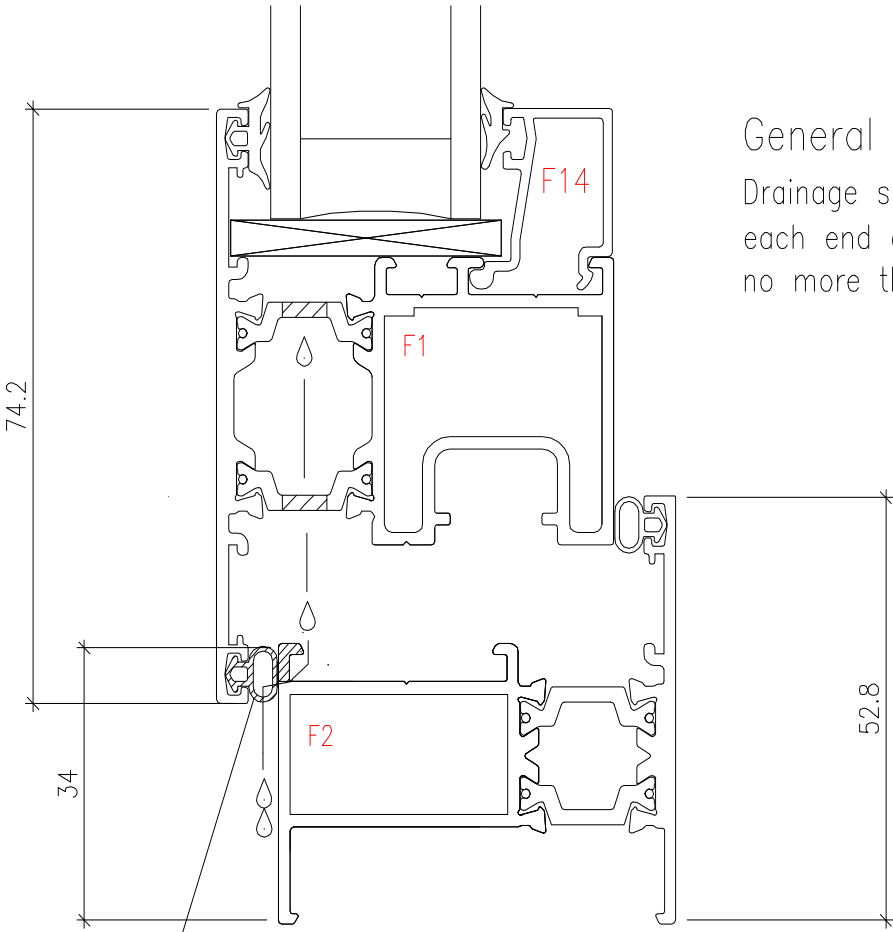
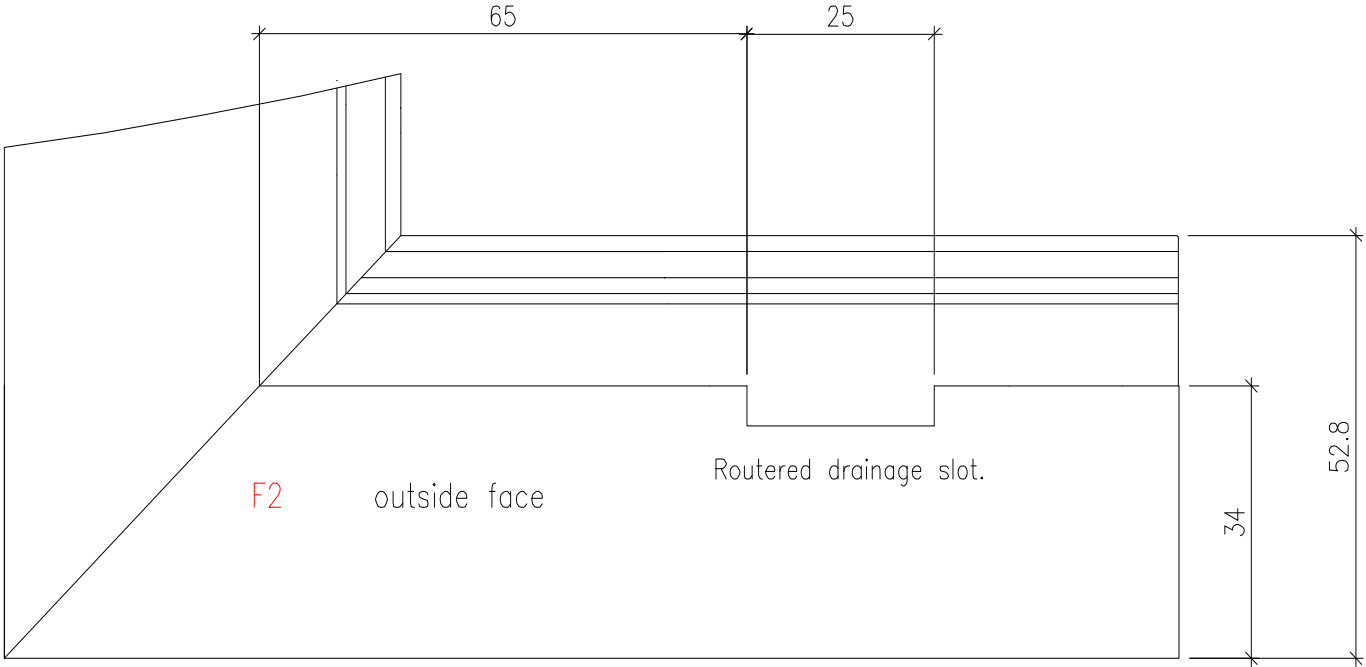
# Casement Window F3

6mm drainage holes to be position centre of thermal break on both sides of profile.



General Configuration  
Drainage slots to be position 65mm from each end as shown, then equally spaced no more than 600mm apart.

# Casement Window F3



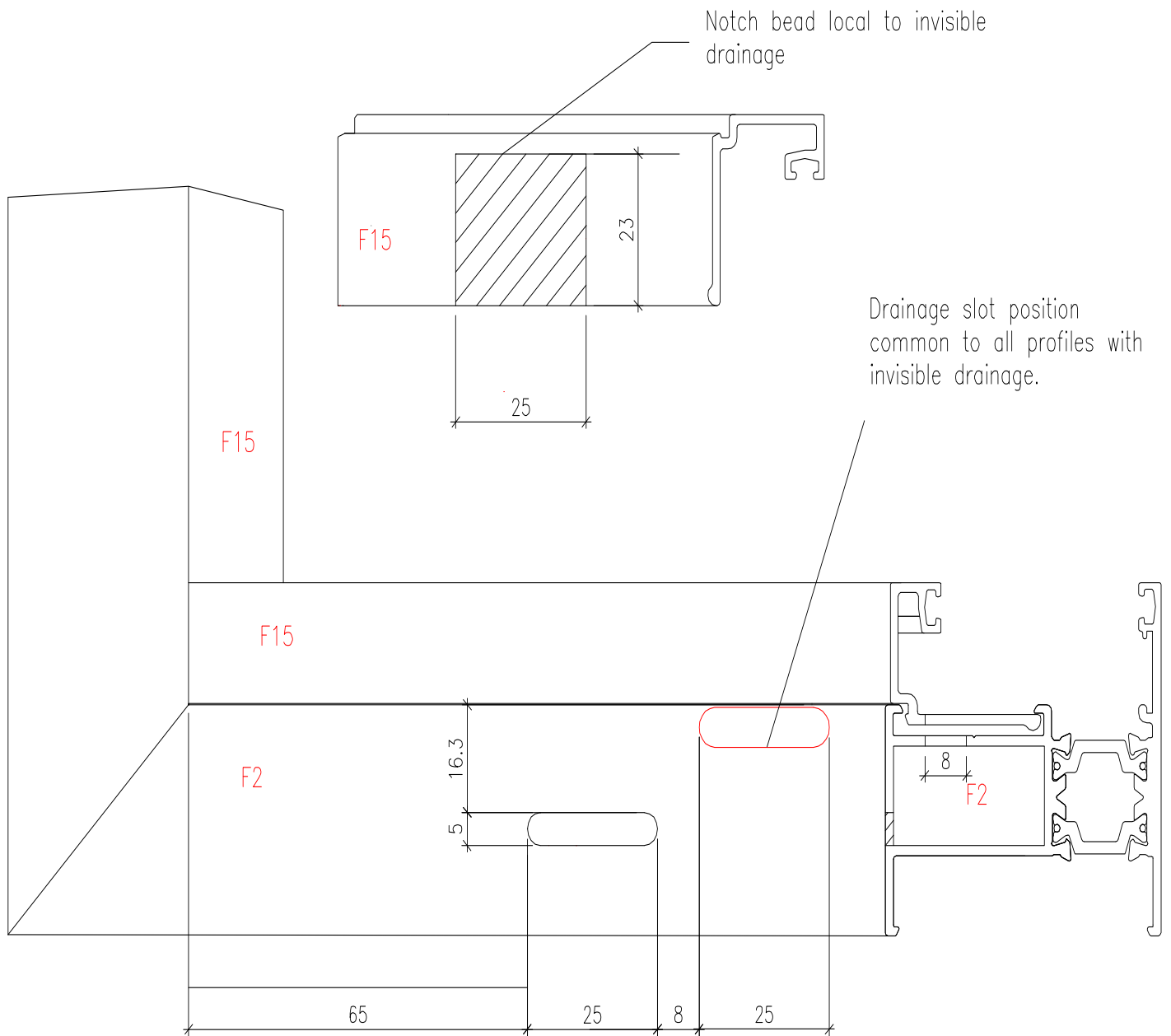
## General Configuration

Drainage slots to be position 65mm from each end as shown, then equally spaced no more than 600mm apart.

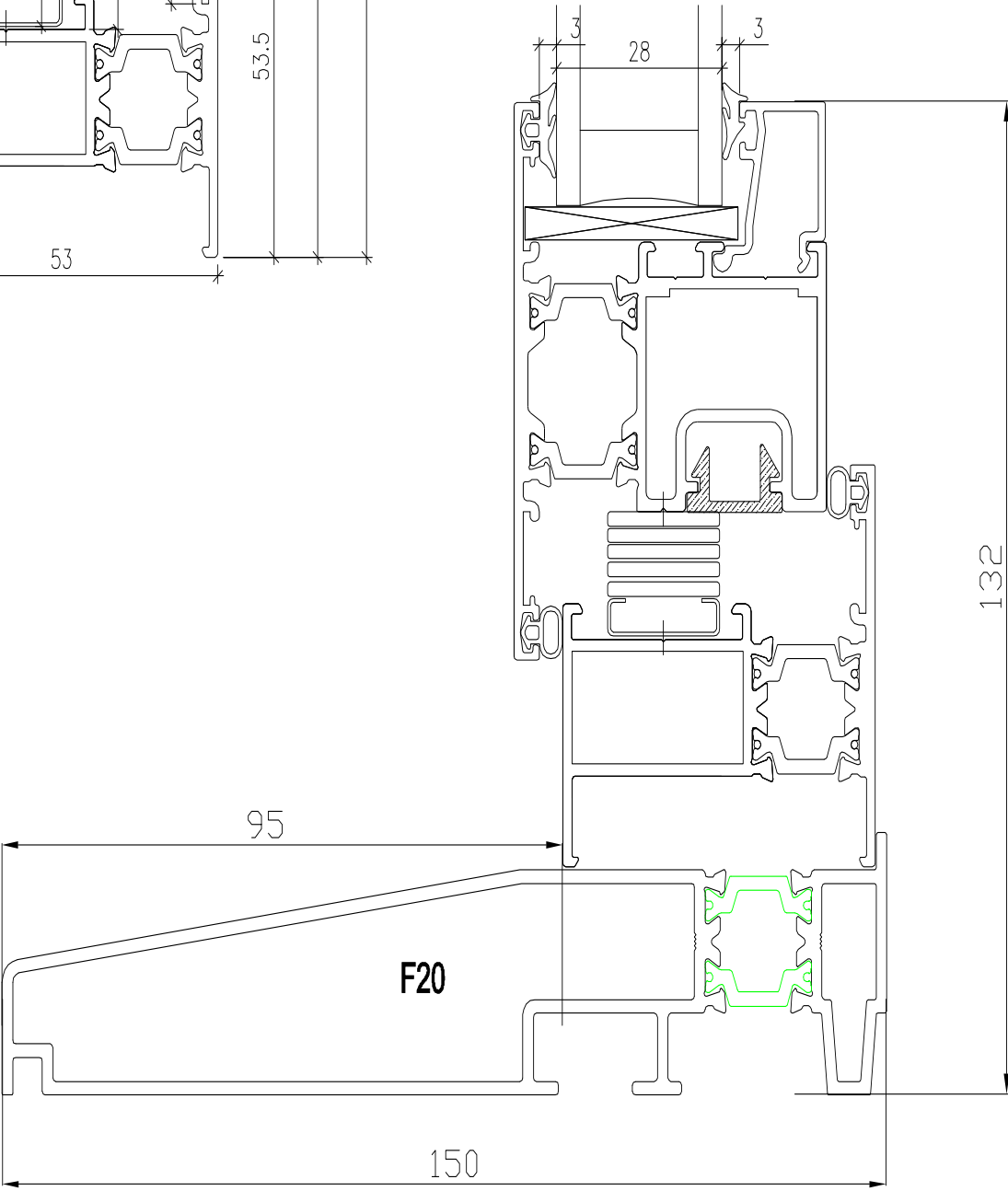
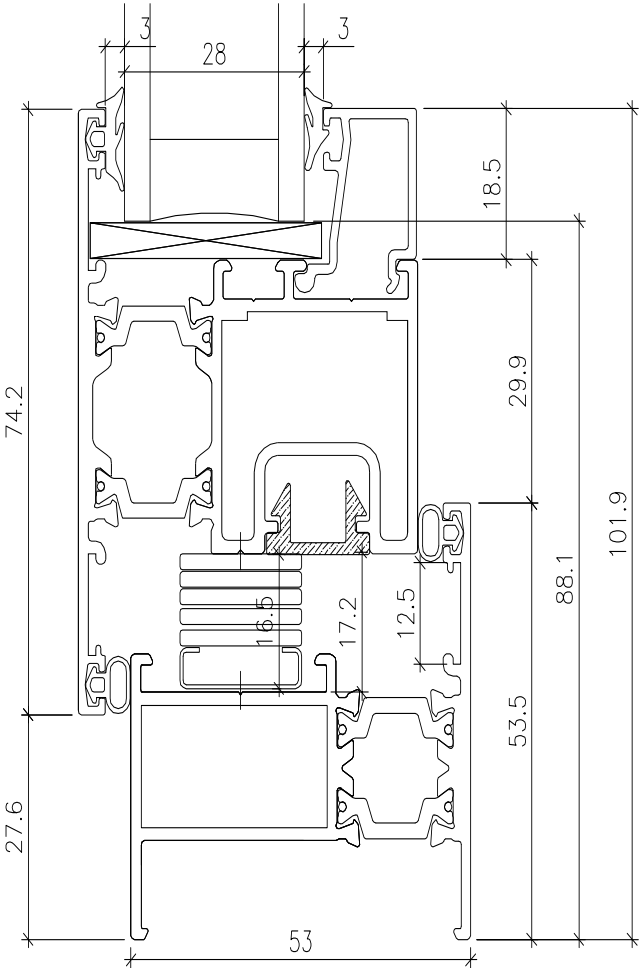
Invisible drainage slots

# General configuration.

Drainage slots to be positioned 65mm from each end as shown, then equally spaced no more than 600mm apart.



# Casement Window F3



F20

# Curtain Walling Insert F3

F3  
C/MENT O/FRAME GLAZE IN

